



Thank you for purchasing the Tailwind automatic garage door controller. We're sure you're going to love it however if you are

**UNSATISFIED?
EMAIL US FIRST**
support@gotailwind.com



- NOTICE**
1. Use only with door openers manufactured after 1993
 2. Not for use with one-piece front swing garage doors or swinging gate doors

NOTICE: To comply with FCC and/or Industry Canada (IC) rules, adjustment or modifications of this transceiver are prohibited. THERE ARE NO USER SERVICEABLE PARTS.

This device complies with Part 15 of the FCC rules and IC RSS-210. Operation is subject to the following two conditions: (1) this device may not cause harmful interference, and (2) this device must accept any interference received, including interference that may cause undesired operation. This device must be installed in a way where a minimum 8" (20 cm) distance is maintained between users/bystanders and device.



Make your garage door opener smart! The Tailwind iQ3 Garage Door or Gate Opener retrofits up to 3 garage door openers or 1 gate opener, letting you open or close it and know if it's open in real-time via the Tailwind app or your favorite smart home app.

- WHAT'S INCLUDED:**
- Tailwind iQ3 2.1 Control Module
 - Door Sensor Kit and Wiring (Optional)
 - Hardware Bag
 - Power Supply
 - Quick Start Guide
 - 1 Year Warranty

ALWAYS WEAR SAFETY GLASSES DURING INSTALLATION

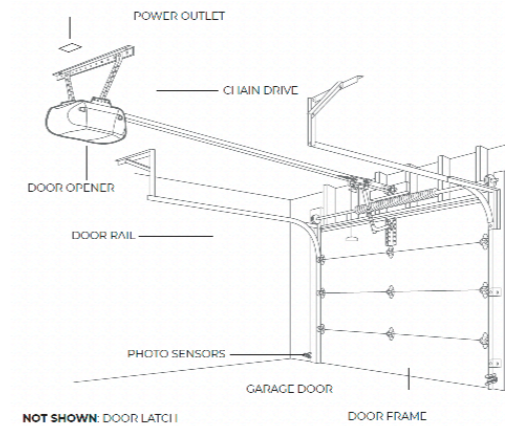


PLEASE VISIT OUR [YOUTUBE CHANNEL FOR HELPFUL HOW-TO AND INSTALLATION SUPPORT VIDEOS](#)



LET'S GET STARTED
RECOMMENDED: Watch our Tailwind installation video first on our [youtube channel](#)

SYSTEM OVERVIEW:



DO I NEED A VEHICLE SENSOR?

To enable the auto open / auto close feature it will be required for:

1. ANY CAR NOT PAIRED WITH YOUR ANDROID PHONE
2. CUSTOMERS WITH APPLE PRODUCTS



Before starting, check the [Smartfit Guide on our website](#)

STEP 1: Install the free Tailwind App

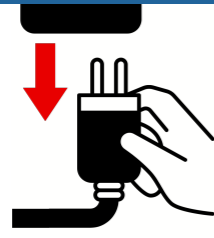
Download and launch the Tailwind mobile app from the Apple App Store or Google Play Store



NEED HELP? [WWW.GOTAILWIND.COM/INSTALLATION](#)

Installation Guide | iQ3 2.1

STEP 2: Unplug your Garage Door Opener

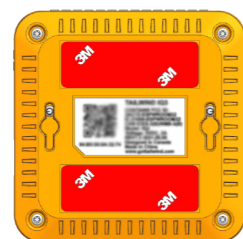


STEP 3: Select a Mounting Location for the Control Module

IMPORTANT:

- Ensure the power adapter will reach the unit when plugged in
- Mount within 1m (3 ft) of opener.
- In a 3 door installation, mount the controller near the middle door.
- Additional iQ3 2.1 door kits are required to connect multiple dry contact openers to the controller
- Do not permanently mount the module with tape until the very end

Mounting Option #1
Apply adhesive pads directly to the back of the controller



- Mounting Option #2
Use screws and wall anchors to directly attach the controller to the wall or ceiling
- Mounting Option #3
Use screws and wall anchors to attach the mounting bracket to the wall or ceiling
- Mounting Option #4
Use zip ties (not included) to attach the mounting bracket to other surfaces

STEP 4.a) Mount J-Track Door Sensor, if Included

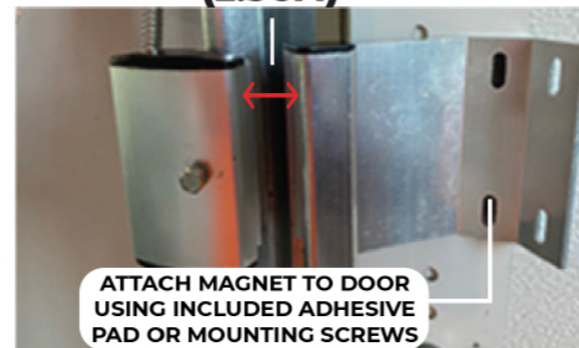
Ensure both parts align vertically when the door is closed

1. Mount the sensor on the J-track as shown.
2. Tighten the sensor to the track by tightening the tensioning bolt.
3. Use the supplied double-sided adhesive pad or mounting screws to mount the magnet to the door as shown.
4. Use the included B connectors & pliers to connect the 2 sensor wires to one end of the 10m (32 ft) white / black stripe & white wires provided.

IMPORTANT:
Carefully roll the door up and confirm nothing collides with the sensor or magnet.

NEED HELP? [WWW.GOTAILWIND.COM/INSTALLATION](#)

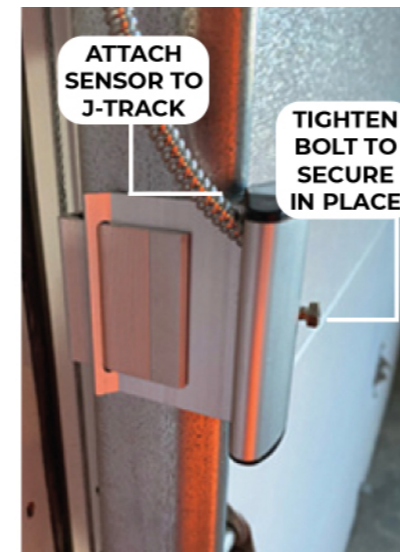
GAP <1" (2.5CM)



ATTACH MAGNET TO DOOR USING INCLUDED ADHESIVE PAD OR MOUNTING SCREWS

ATTACH SENSOR TO J-TRACK

TIGHTEN BOLT TO SECURE IN PLACE



Use the included B connectors & pliers to connect the 2 sensor wires to one end of the 10m (32 ft) white/black stripe & white wires provided.

STEP 4.b) Mount Universal Door Sensor Above Door, If Included

Ensure both parts align horizontally when the door is closed. If a suitable location above the door is not available, skip to step 4c.

1. Mount sensor above door as shown, using included screws. Mount high enough so door will clear sensor as it opens.
2. Mount magnet to door within 1 inch of sensor when door is closed. Attach magnet directly to door or use included angle bracket.
3. Use the included B connectors & pliers to connect the 2 sensor wires to one end of the 10m (32 ft) white/black stripe & white wires provided.

IMPORTANT:

Carefully roll the door up and confirm nothing collides with the sensor or magnet.

NEED HELP? [WWW.GOTAILWIND.COM/INSTALLATION](#)



Magnet attached directly to top of door



Magnet installed using optional bracket



Use the included B connectors & pliers to connect the 2 sensor wires to one end of the 10m (32 ft) white/black stripe & white wires provided.

STEP 4.c) Mount Universal Door Sensor on Floor, If Included

IMPORTANT:
Carefully roll the door up and confirm nothing collides with the sensor or magnet.

Ensure both parts align horizontally when the door is closed.

1. Position sensor as shown and mark the mounting hole locations on the floor.



2. Drill 5/32" holes using included drill bit.



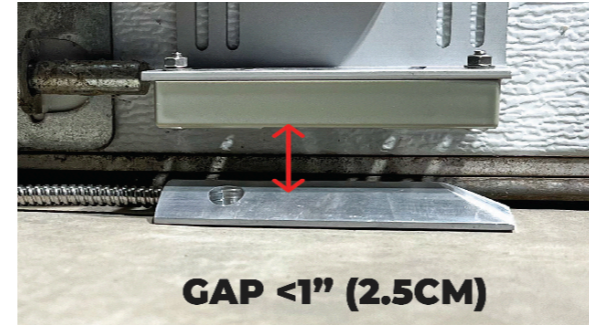
3. Vacuum remaining dust out of holes.



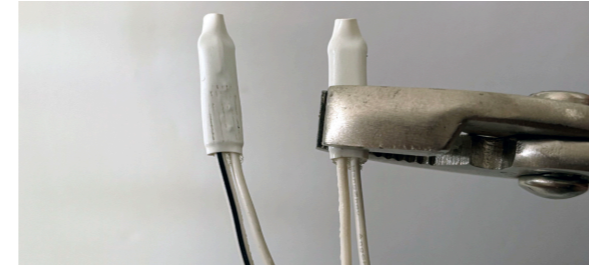
4. Tighten down sensor with included concrete screws.



5. Mount angle bracket and magnet to the door as shown using double sided tape or screws. Confirm alignment and gap is less than 1 inch when door is closed.



6. Use the included B connectors & pliers to connect the 2 sensor wires to one end of the 10m (32 ft) white/black stripe & white wires.



STEP 6 - Connecting the Tailwind Control Wires

If you have not already done so, consult the Smartfit Guide on our website for specific details on your opener. If yours is not listed, try choosing a similar one from the list. Note the control terminals & type (Dry Contact, Digital, 3 Button Dry Contact).

1. The iQ3 2.1 features convenient "pass through" wiring terminals to facilitate easier installation for single digital opener or 3 button dry contact applications. If you find steps 3 & 4 too confusing, you can simply connect the control **output** terminals (digital or dry contact) to the terminals on your opener. Using the "pass-through" is not mandatory except in 3 button dry contact installations, and not available for dry contact installations.

2. Identify the control terminals shown in the Smartfit Guide. The 2 wires from your wall control will be connected to them (unless your wall control is wireless). Note which terminal each wire is connected to.

3. If you have wires connected to these terminals, use a small flat head screwdriver to push on the release button on one terminal. Remove one wall control wire. Connect it to either the dry contact or digital **input** on the iQ3 2.1.

4. Repeat the process in Step 3 for the other wire in a single digital installation or the remaining wires in a 3 button dry contact installation.

5. Use the included 1 m (3ft) white/red stripe & white wire to connect the corresponding **output** from the iQ3 2.0 to your garage door or gate opener. For 3 button dry contact installations, you can also use some of the white/black stripe & white wire if needed.

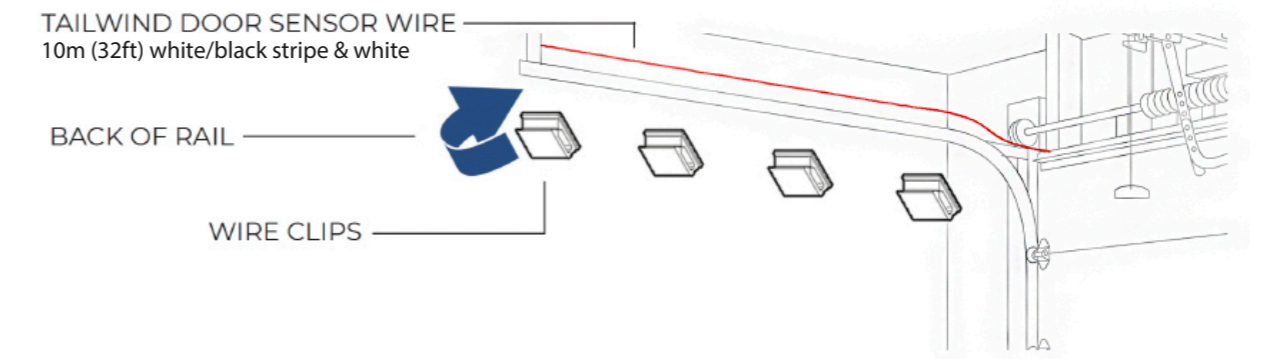
NOTE: Some door openers do not have push-in style terminals and instead use screw terminals. Simply unscrew, wrap the wires around, and tighten the screw back in place.

NEED HELP? WWW.GOTAILWIND.COM/INSTALLATION

STEP 5 - Running the Tailwind Door Sensor Wire if Included

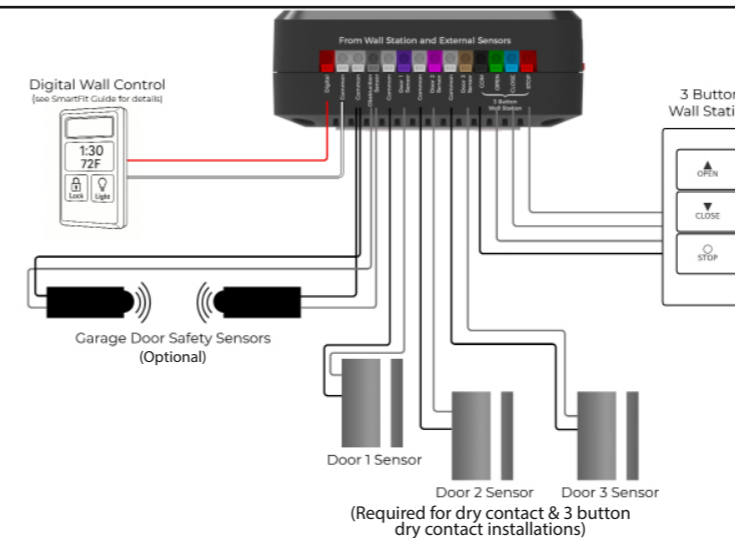
- Run the 10m (32ft) white/black stripe & white wire from each door sensor to the iQ3 2.1 controller mounting location.
- Secure the wire in place by adhering the wire clips to the back side of the rail or to a pre-existing wire if one exists. Use the provided alcohol wipes to clean where the clips will be mounted.
- Some garage door openers make it convenient to run wire along the chain/belt drive rail, allowing for a clean installation. Do not do this if the wiring could get caught in the drive system.
- Connect to the corresponding door sensor and common input terminals (up to 3 sensors)

IMPORTANT: Secure all wiring only in locations where the garage door or other moving parts will not make contact during normal opening and closing

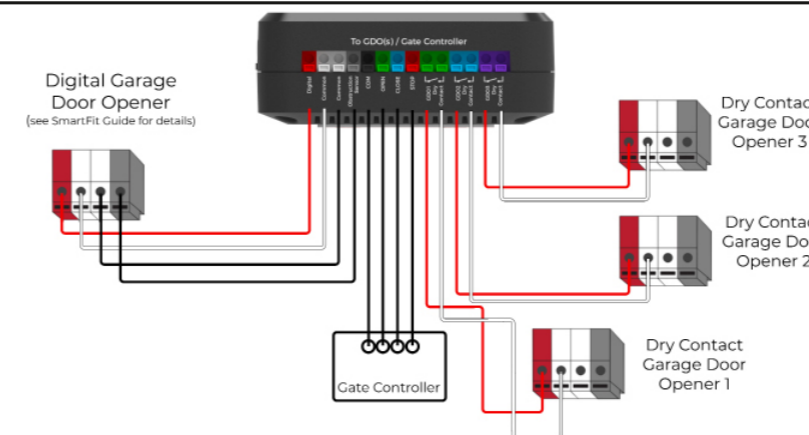


Terminals shown are for Chamberlain, Liftmaster, Craftsman, Merlin, and Raynor garage door openers. Yours may be different. See our Smartfit Guide for details.

Tailwind iQ3 2.1 Inputs

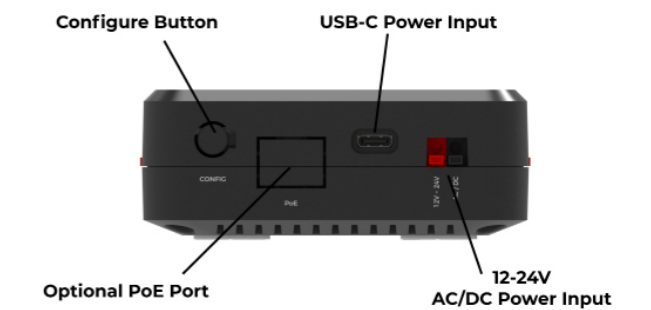


Tailwind iQ3 2.1 Outputs



STEP 7 - Plug in the Power Adapter

Plug the power adapter into a wall outlet if removed in an earlier step. Plug your garage door opener back in.



If you have not already done so, launch the Tailwind app and follow the instructions.

YOU ARE NOW READY TO TEST THE DOOR

1. Open the app.
2. Select the garage.
3. Tap on the door you want to control.
4. The controller will beep and flash for 5 seconds prior to closing the door. This warning is required by law.

Chamberlain, Liftmaster are trademarks registered in the U.S. and other countries. Other trademarks and trade names are those of their respective owners.

NEED HELP? WWW.GOTAILWIND.COM/INSTALLATION